

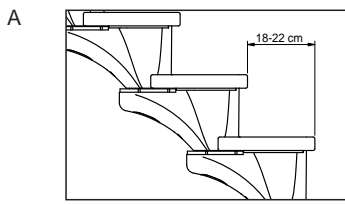
CHICAGO

Contemporary and light modular staircase in aluminium and wood

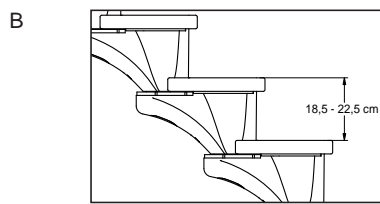
Floor-to-floor height	13 rises (12 treads) as standard - for heights up to 292,5 cm. Extra treads available - for heights up to 337,5 cm.
Going	Adjustable between 18 and 22 cm. (ill. A)
Rise	Adjustable between 18,5 and 22,5 cm. (ill. B)
Supporting elements	Light aluminium supporting elements in RAL 9006 as standard powder coated with rough surface structure.
Shape	Straight flight, 1/4-turn and 1/2-turn. (ill C,D & E) Several configurations with 1/4-turn and 1/2-turn.
Treads	Width: 70 or 86 cm, 74 or 90 cm - one side banister included Depth: 26,7 cm. Thickness: 40 mm. Wood: beech veneered multiplex varnished
Banister	Wire banister (Ø25 mm) with wooden handrail (Ø40mm).
Accessories	Balcony banister (as kit), child guard, outside banister for staircase.
Additional support	Supporting column (ill. 3) is supplied with 1/2-turn, 1/4-turn.

CHICAGO

Adjustable rise, going and rotation

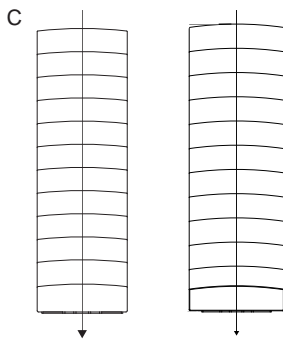


Going adjustable between 18 and 22 cm

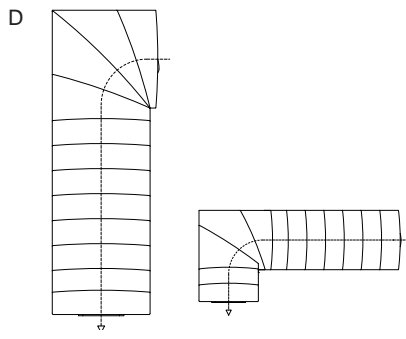


Rise adjustable between 18,5 and 22,5 cm.

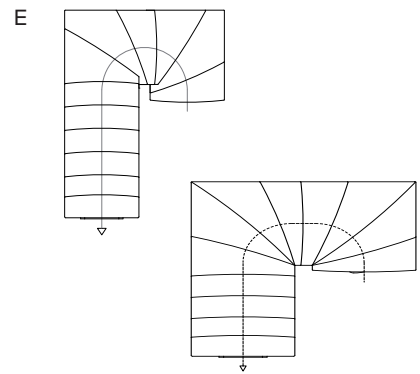
Straight flight



1/4-turn



1/2-turn



1



2



3



4



5



6

