



# TORONTO

Spiral staircase in metal

Floor-to-floor height	12 rises (11 treads and platform) as standard - for heights up to 276 cm. Available up to 18 rises up to 400 cm.
Diameter	Available as Ø 125, Ø 140 and Ø 155 cm.
Treads + Banister	Hot galvanised treads and banister
Platform	Triangle triangular. Platform and platform banister enclosed.
Accessories	Landing banister.
Recommended for out-door and in-door use	

**DOLLE**<sup>®</sup>  
KITSTAIRCASES

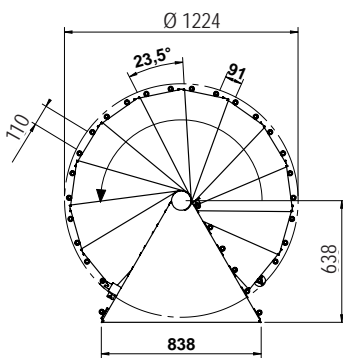
# TORONTO

Diameter (cm)	Opening size (cm)	Number of treads	Height, standard (cm)	Rise per tread (cm)
Ø 125	Min. 135 x 135	11 + platform	216 - 276	18 - 23
Ø 140	Min. 150 x 150	11 + platform	216 - 276	18 - 23
Ø 155	Min. 165 x 165	11 + platform	216 - 276	18 - 23

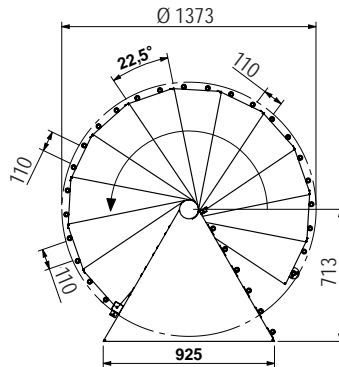


Examples of different lay-outs for Toronto

Ø 125 cm



Ø 140 cm



Ø 155 cm

